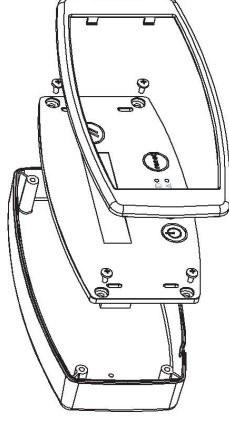
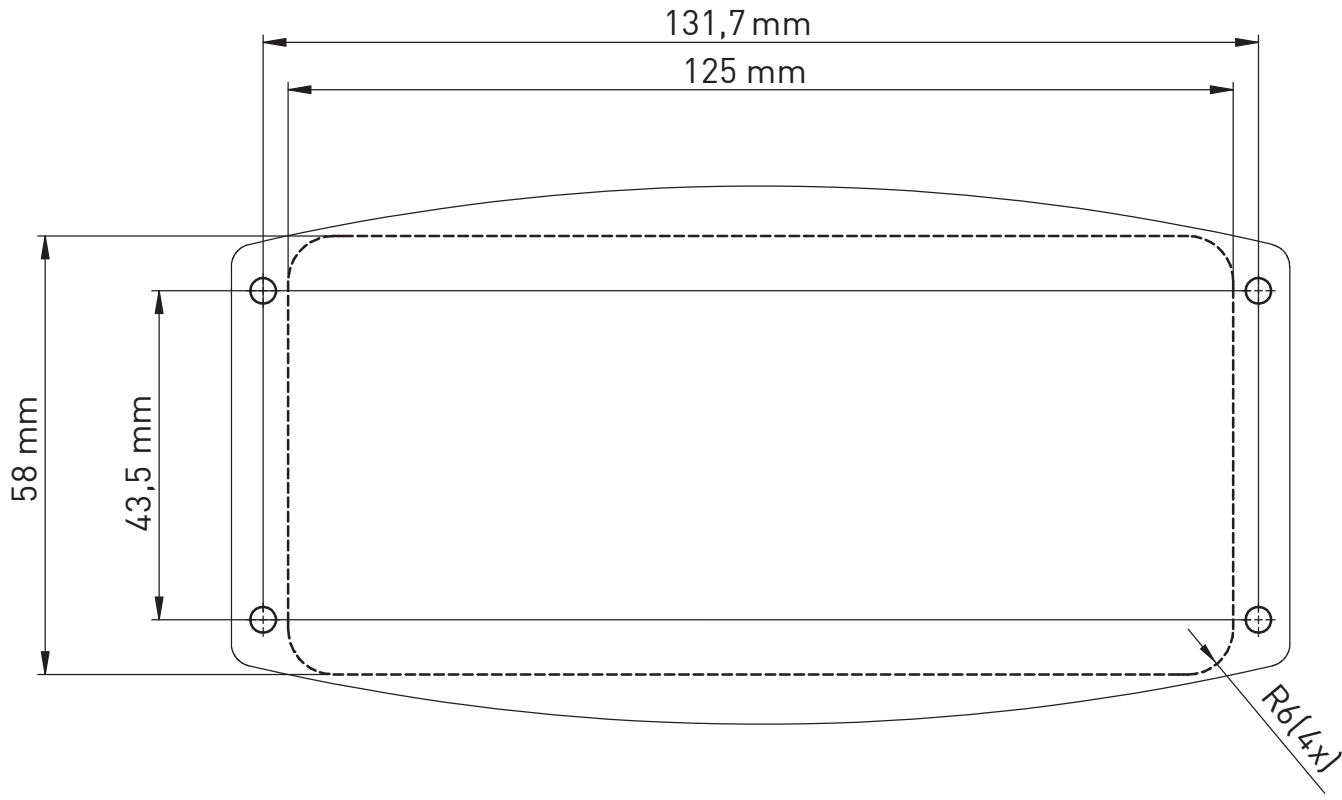


**Bohrschablone | Template for drilling**  
**Gabarit de percage | Sagoma di fortura**  
**Boorsjablonen | Plantilla para taladrar**  
**Håltagningsmallen | Boreškabelon**  
**Boremal | Poraus sapluunaa**



SFC Energy AG  
Eugen-Saenger-Ring 7  
85649 Brunnthal Germany  
Hotline: +49 89 / 673 59 20  
00800 / 732 762 78  
Fax: +49 89 / 673 592 369  
hotline@efoy.com  
www.efoy.com